
Optical Selector for SMF

Datasheet

DE-D001



Preliminary

Overview

DE-D001 series are optical selectors for SMF based the micro-optics technology. DE-D001 series are the stable performance based collimator technology and YAG welding technology.

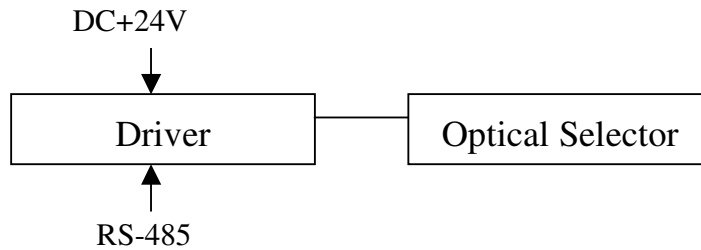
Features

- Compact size
- Low insertion loss : 1.5dB or less
- High repeatability : +/-0.02dB or less
- Low PDL ; 0.05dB or less
- High reliability for using YAG welding technology
- Controller interface : RS-485
- Valuations
1x8, 1x16, 2x(1x8), 2x (1x16)

Applications

- Optical sensing systems
- Optical fiber measurement systems
- Optical components characteristics measurements

Configuration



Absolute Maximum Ratings

Parameters	Ratings	Note
Maximum input power	300mW	
Operating temperature	0 - +40 C	
Storage temperature	-10 - +60 C	

Specification

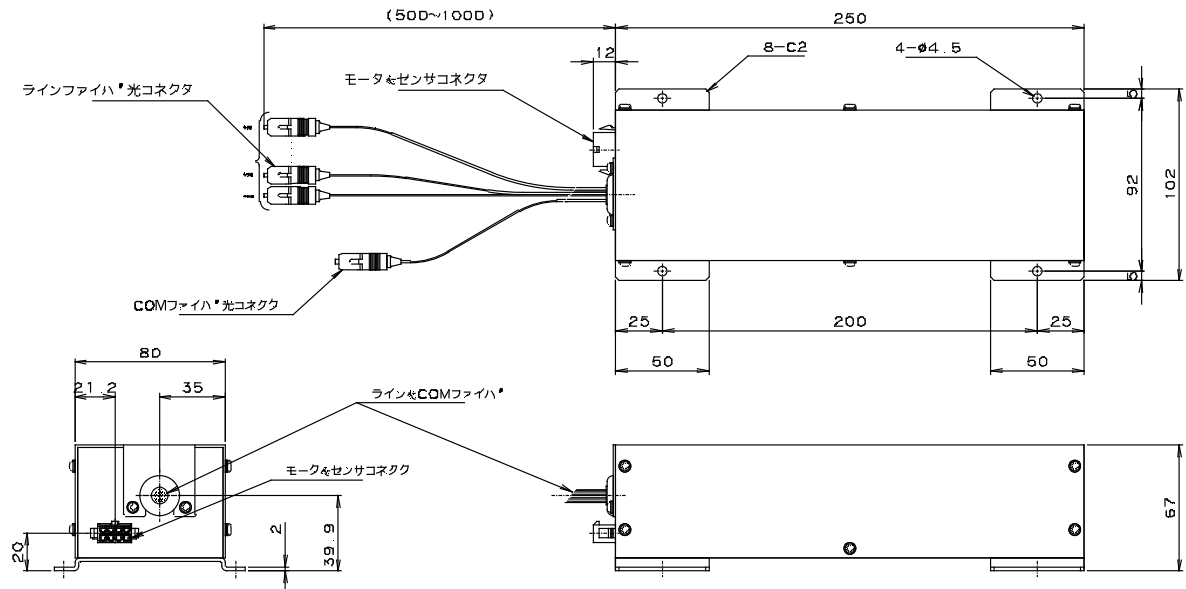
Optical Selector

Parameters	Specifications	Note
Optical fiber	SMF	
Wavelength	1260 - 1660nm	
Insertion loss	1.5dB or less	
Repeatability	+/-0.02dB or less	
Polarization dependence loss	0.1dB or less	
Return loss	50dB or less	Without connector
Maximum switching time	3s or less	
Neighboring port switching time	1s or less	
Optical connector	SC or FC	
Optical fiber diameter	0.9mm	
Optical fiber length	1 +/- 0.1 m	
Dimensions	82 (W) x 67 (H) x 250 (D) mm	

Driver

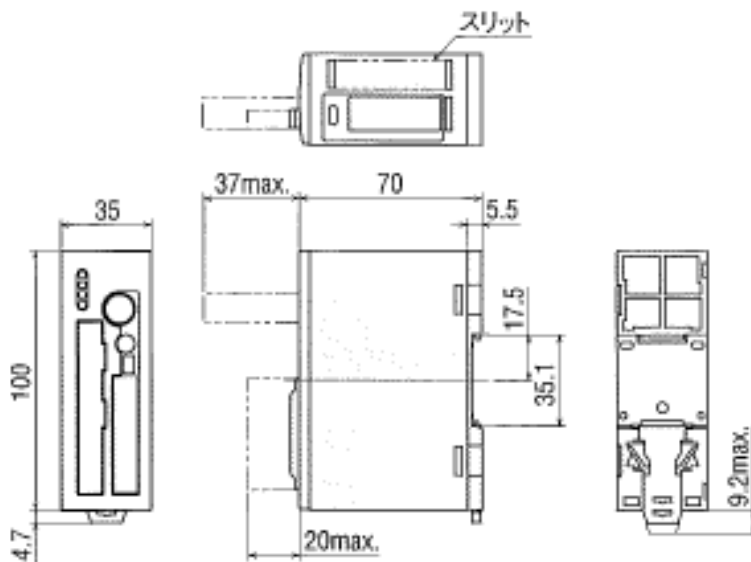
Parameters	Specifications	Note
Supply voltage	+24V +/-10%	
Driving current	0.7A	
Interface	RS-485	
Dimensions	35(W) x 100 (H) x 70 (D) mm	

Outline Drawings Optical Selector



Unit : mm

Driver



Ordering Information

DE-D001-x x xx
1 2 3

Example) DE-D001-S116

1;Select connector	2;Select Common port numbers	3; Select port numbers
S=SC connector F=FC connector	1=1 port 2=2 ports	08=8ports 16=16ports