

Optoelectronics Components Data Sheet

■ DE-0943

PIN-Photodiode Coaxial Module

Description

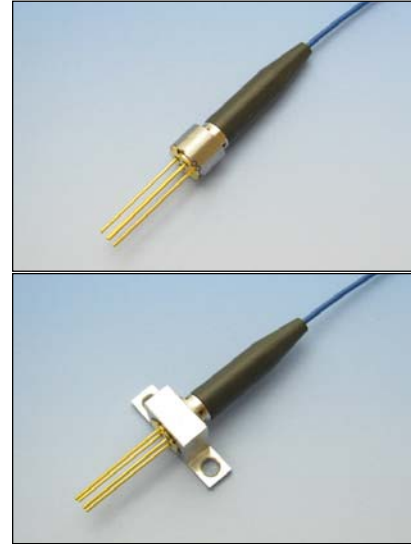
DE-0943 is a high sensitive optical receiver module of coaxial pigtail type. This module consists of an InGaAs PIN photodiode(PIN-PD) of $\phi 300\mu\text{m}$ received diameter, a single-mode fiber and a coaxial package.

Features

- ◆ $\phi 300\mu\text{m}$ received diameter
- ◆ High coupling efficiency
- ◆ Hermetically sealed PIN-PD device
- ◆ YAG laser spot welding for high reliability
- ◆ Coaxial Package
- ◆ -40 to +85 °C operating temperature range

Applications

- Digital transmission systems
- OTRD systems
- Optical measuring instruments



Absolute Maximum Ratings

(Tc=25°C, unless otherwise specified)

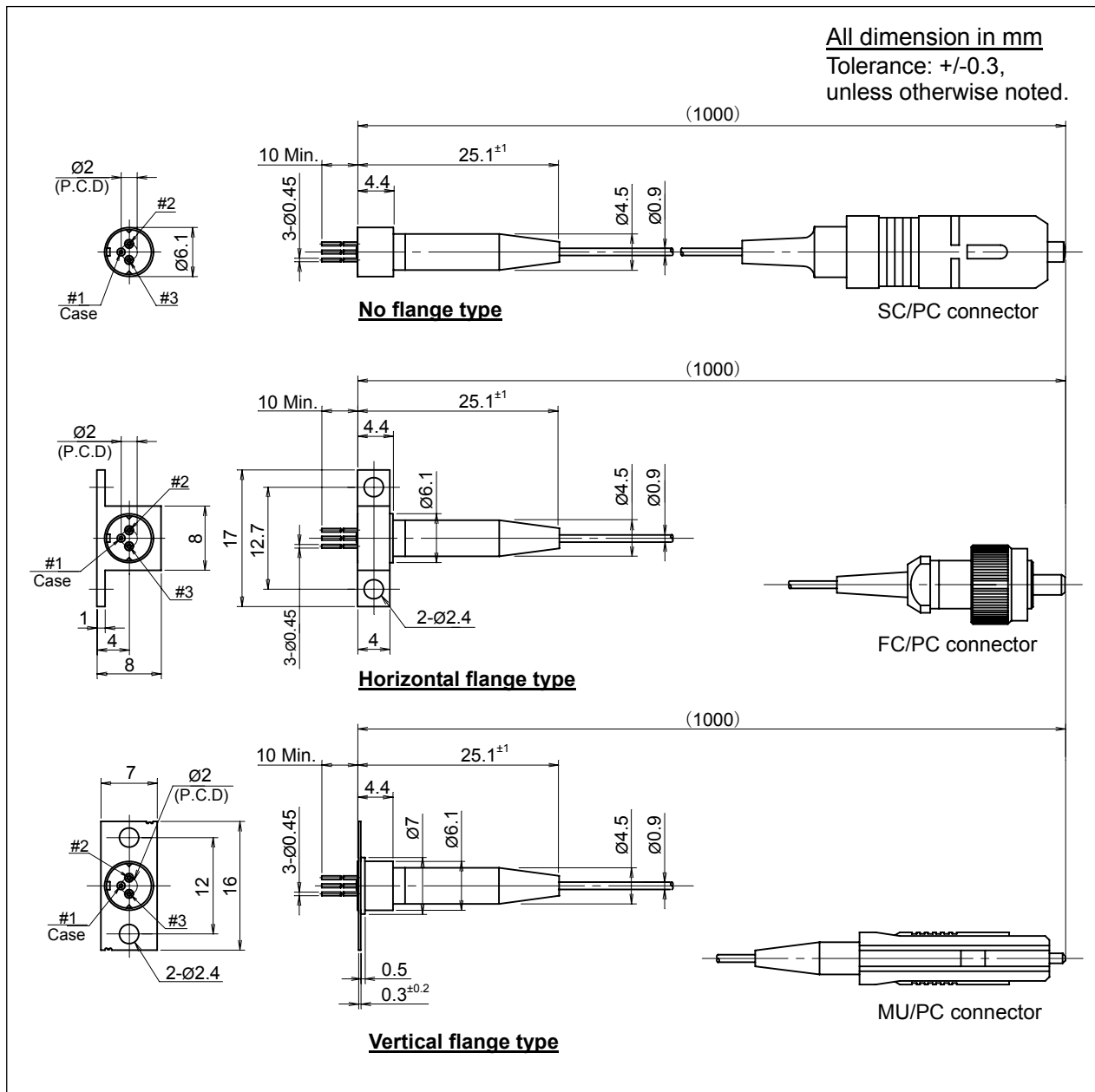
Parameter	Symbol	Ratings	Unit	Conditions
Forward current	If	50	mA	---
Reverse voltage	Vr	20	V	---
Maximum input power	Pmax	30	mW	---
Storage temperature	Tstg	-40 ~ +85	°C	---
Operating temperature	Tc	-40 ~ +85	°C	---
Soldering temperature	Ts	260	°C	10sec, >2mm

Electrical and Optical Characteristics

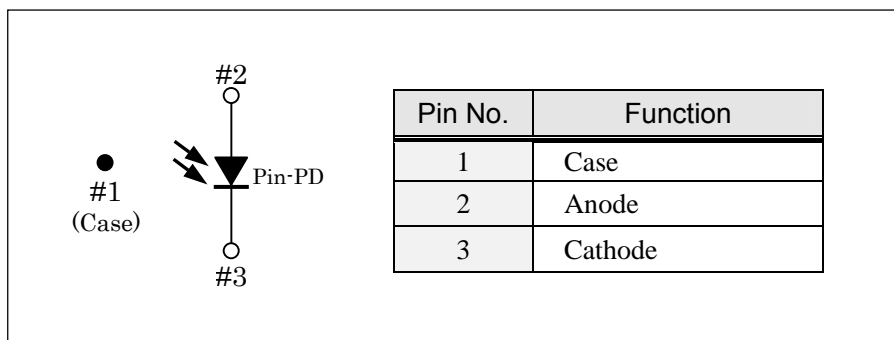
(Tc=25°C, unless otherwise specified)

Parameter	Symbol	Conditions	Min.	Typ.	Max.	Unit
Active Diameter	D	---	---	300	---	μm
Responsivity	R	λ=1310nm	0.7	---	---	A/W
		λ=1550nm	0.8	---	---	
Total capacitance	Ct	f=1MHz	---	4	6	pF
Dark current	Id	---	---	100	600	pA
Bandwidth	fc	RL=50Ω, -3dB, Lead length<2mm	0.4	0.6	---	GHz

Outline Drawings



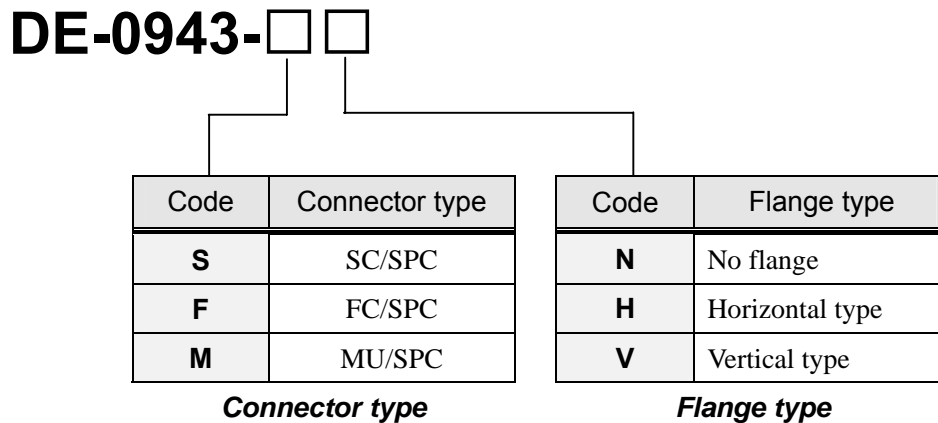
Pin configuration



Optical Fiber Characteristics

Parameter	Min.	Typ.	Max.	Unit
Fiber type	Single mode			---
Mode field diameter	8	9	10	μm
Clad diameter	123	125	127	μm
Concentricity error	---	---	1	μm
Cladding non-circularity	---	---	2	%
Mode field non-circularity	---	---	6	%
Cut off wavelength	1270	---	---	nm
Jacket diameter	0.8	0.9	1	mm
Bending Radius	20	---	---	mm
Tensile strength fiber case	5	---	---	N
Length	---	(1000)	---	mm
Connector	FC type / SPC			
	SC type / SPC			
	MU type / SPC			

Ordering information



OPTOHUB Co., Ltd.

 305 Live Tower Musashi Urawa
 7-6-8 Bessho, Minami-ku, Saitama-shi
 Saitama, 336-0021 JAPAN

 URL : <http://www.optohub.com>
 E-mail : info@optohub.com
 TEL : +81-48-844-8899
 FAX : +81-48-844-8902